

## K4LED - YouTube Videos, Files to Download, WEB Links:

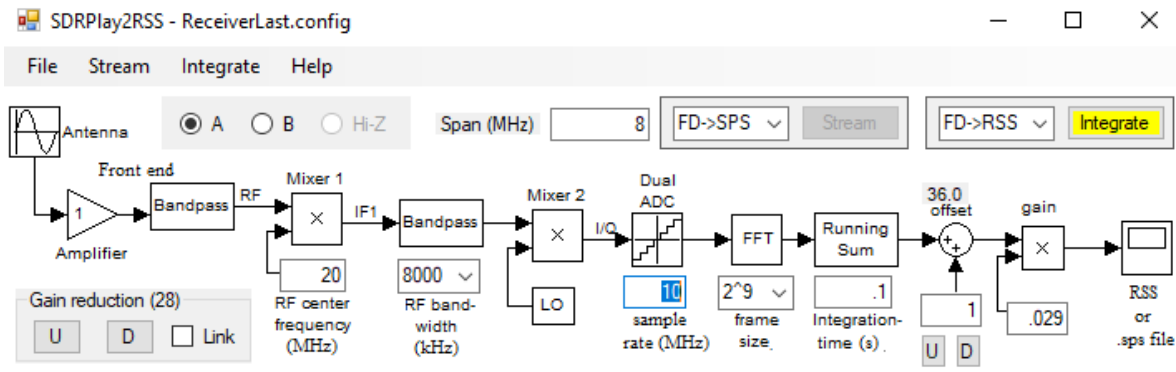
1. [NewSDRc2RSSguide.pdf \(101science.com\)](#) **PDF** - SDRc2RSS Interface (New 5/11/2022) **PDF**
2. [attenuator.pdf \(101science.com\)](#) High Precision Attenuator Project **PDF**
3. <https://youtu.be/wMu3ocv3BRw> Tutorial - The new SDRc2RSS RSP1A (Revised 5/9/2022) **UTUBE**
4. <https://youtu.be/iYTEyFukxMM> Tutorial - Edit and use an RSS Schedule File **UTUBE**
5. <https://youtu.be/gc1EeDXm2UQ> Tutorial - Find small artifacts in a 24-hour Spectrograph **UTUBE**
6. [https://youtu.be/lqW74cy5o\\_I](https://youtu.be/lqW74cy5o_I) Tutorial - Save an RSS Image of a Spectrograph **UTUBE**
7. <https://youtu.be/kznLnllaq6Y> Tutorial - Save & Open RSS .sps Spectrograph Files **UTUBE**
8. <https://youtube.com/channel/UCtawz3MnMBwiz9ShhSC0ygQ/live> **K4LED LIVE CHANNEL UTUBE**
9. <https://youtube.com/channel/UCtawz3MnMBwiz9ShhSC0ygQ/live> **K4LED LIVE CHANNEL UTUBE**
10. <https://youtu.be/GX7pXn2VzGO> High Precision Attenuator **UTUBE**
11. <https://youtu.be/Gr15I6A3dqU> Jupiter Galactic Background **UTUBE**
12. <https://youtu.be/Zuf4vRaWLOE> Jupiter S Bursts **UTUBE**
13. <https://youtu.be/3x4sMqglAkk> Jupiter L Bursts **TUBE**
14. <https://youtu.be/L3FMseosCCU> Solar Burst **UTUBE**
15. [AJ4CO 14-bit Color File](#) For 14-bit spectrographs running the latest RSS versions **FILE**
16. [AJ4CO Color File](#) The AJ4CO color file for current 12-bit spectrographs **FILE**
17. [Schedule File](#) A schedule.skd file – An RSS Schedule File – Starts and Stops RSS running **FILE**
18. [SDRc2RSS](#) The interface program between SDR Console and RSS **FILE**
19. <http://radiosky.com/spec/Spectrograph.exe> Download Radio Sky Spectrograph RSS Program **FILE**
20. [SDR Console](#) The SDR Console - SDR-Radio - A program written by Simon Brown **WEB**
21. [SDR Console Support Forums](#) A help group for SDR Console **WEB**
22. [Jim Sky's Spectrograph Help Paper](#) Excellent must-read RSS Spectrograph Help **WEB**
23. <http://radiosky.com/softwarehome.html> Jim Sky Software **WEB**
24. <http://www.radiosky.com/rjcentral.html> Jim Sky Jupiter Central **WEB**
25. <https://101science.com/radiojove.html> K4LED Radio Jove Page **WEB**
26. <https://101science.com> K4LED Main Web Page **WEB**

See next page for more information:

## HOW TO FIX THE SYSTEM.ARUGUMENTEXCEPTION ERROR

Important Note: If you get an error message when trying to run SDRplay2RSS in RSS and you can't get the integrate button to turn yellow so that SDRplay2RSS is running properly the most likely cause is having the latest SDRuno version installed on your computer. The latest versions of SDRuno v1.4x are not compatible with the SDRplay2RSS program inside of RSS. It was written several years ago and requires an older version of SDRuno to run properly. To fix this problem uninstall the current version of SDRuno from your computer. Next, install SDRuno version 1.33 from this link: <https://tinyurl.com/SDRunoVer133>

Next, reboot your computer and set up SDRplay2RSS as shown in the next image: (Note: Do Not Run SDRuno.)



Start RSS and set RSS Color Offset to around 200 or 300 or until the background is blue. Set RSS Color Gain to around 2 or 3 or until signals are yellow, red, or white and your spectrograph looks like the one below. Do not run SDRuno.

